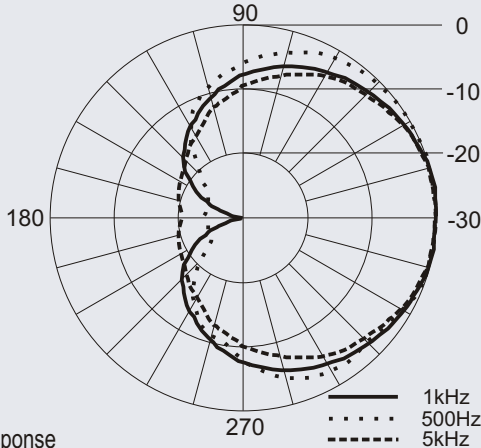


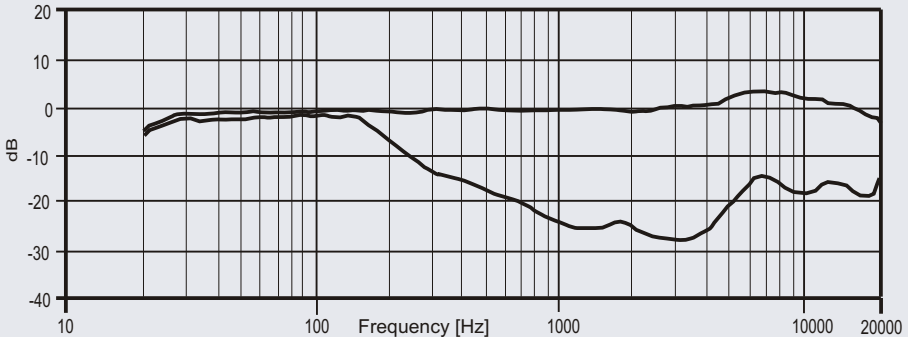


**HS3020 Cardioid Studio Condenser Microphone**

**Serial Number:** 0000/0000  
**Sensitivity:** -30dBV/Pa (nom)  
**Polar Pattern:** Cardioid  
 (Typical Example)



Frequency Response



**General Specification**



System:	Detachable Capsule
Frequency Response:	20Hz - 20kHz (pre-amp 20Hz - 100kHz)
Max SPL @1kHz:	~135dB SPL; ~129dB SPL @ 12v supply
Self Noise:	~17dBA
Impedance:	<600 ohms
Connection:	3pin gold plated male XLR
Power:	12 - 48v phantom power
Output:	Electronically balanced
Dimensions:	Overall 160mm x 23mm dia Pre-amp 132 x 23 dia: capsule 35 x 23 dia
Weight:	290g (pre-amp 265g; capsule 25g)